

Prepared For :  
 BRIAN FRANKLIN  
 DOUGLAS COUNTY  
 3030 N INDUSTRIAL WAY  
 CASTLE ROCK, CO 80109  
 UNITED STATES  
 Phone : 303-660-7361

Prepared by:  
 Will Schafer  
 TRANSWEST TRUCK TRAILER RV  
 20770 E I76 FRONTAGE ROAD  
 BRIGHTON, CO 80603  
 Phone :(303)289-3161

## SPECIFICATION PROPOSAL

Data Code	Description	Weight Front	Weight Rear
<b>Price Level</b>			
PRL-29M	M2 PRL-29M (EFF:MY26 ORDERS)		
<b>Data Version</b>			
DRL-030	SPECPRO21 DATA RELEASE VER 030		
<b>Vehicle Configuration</b>			
001-172	M2 106 PLUS CONVENTIONAL CHASSIS	5,709	3,450
004-226	2026 MODEL YEAR SPECIFIED		
002-004	SET BACK AXLE - TRUCK		
019-006	TRAILER TOWING PROVISION AT END OF FRAME WITH SAE J560	10	10
003-001	LH PRIMARY STEERING LOCATION		
<b>General Service</b>			
AA1-003	TRUCK/TRAILER CONFIGURATION		
AA6-002	DOMICILED, USA (EXCLUDING CALIFORNIA AND CARB OPT-IN STATES)		
99D-029	EPA CLEAN IDLE LABEL FOR INITIAL REGISTRATION IN EPA OR ACT STATES - (INCLUDES 6X4 INCH LABEL ON LEFT OF HOOD)		
AF2-998	NONE		
A85-010	UTILITY/REPAIR/MAINTENANCE SERVICE		
A84-1GM	GOVERNMENT BUSINESS SEGMENT		
AA4-011	FIXED LOAD COMMODITY		
AA5-002	TERRAIN/DUTY: 100% (ALL) OF THE TIME, IN TRANSIT, IS SPENT ON PAVED ROADS		
AB1-008	MAXIMUM 8% EXPECTED GRADE		
AB5-001	SMOOTH CONCRETE OR ASPHALT PAVEMENT - MOST SEVERE IN-TRANSIT (BETWEEN SITES) ROAD SURFACE		
995-091	MEDIUM TRUCK WARRANTY		



Prepared For :  
 BRIAN FRANKLIN  
 DOUGLAS COUNTY  
 3030 N INDUSTRIAL WAY  
 CASTLE ROCK, CO 80109  
 UNITED STATES  
 Phone : 303-660-7361

Prepared by:  
 Will Schafer  
 TRANSWEST TRUCK TRAILER RV  
 20770 E I76 FRONTAGE ROAD  
 BRIGHTON, CO 80603  
 Phone :(303)289-3161

Data Code	Description	Weight Front	Weight Rear
A66-99D	EXPECTED FRONT AXLE(S) LOAD 12000.0 lbs		
A68-99D	EXPECTED REAR DRIVE AXLE(S) LOAD 23000.0 lbs		
A63-99D	EXPECTED GROSS VEHICLE WEIGHT CAPACITY 35000.0 lbs		
A70-99D	EXPECTED GROSS COMBINATION WEIGHT 80000.0 lbs		

### Truck Service

AA3-006	UTILITY BODY		
AF3-2E9	SUMMIT TRUCK BODIES		
AF7-99D	EXPECTED BODY/PAYLOAD CG HEIGHT ABOVE FRAME "XX" INCHES 32.0 in		

### Tractor Service

AA2-005	FLATBED TRAILER		
AH6-001	SINGLE (1) TRAILER		

### Engine

101-3BR	CUM L9 360 HP @ 2200 RPM; 2200 GOV RPM, 1150 LB-FT @ 1200 RPM	640	30
---------	---	-----	----

### Electronic Parameters

79A-078	78 MPH ROAD SPEED LIMIT		
79B-000	CRUISE CONTROL SPEED LIMIT SAME AS ROAD SPEED LIMIT		
79K-008	PTO MODE ENGINE RPM LIMIT - 1150 RPM		
79P-003	PTO RPM WITH CRUISE SET SWITCH - 800 RPM		
79S-001	PTO MODE CANCEL VEHICLE SPEED - 5 MPH		
79U-007	PTO GOVERNOR RAMP RATE - 250 RPM PER SECOND		
79V-001	FUEL DOSING OF AFTERTREATMENT ENABLED IN PTO MODE-CLEANS HYDROCARBONS AT HIGH TEMPERATURES ONLY		
79W-024	CRUISE CONTROL BUTTON PTO CONTROL		
79X-007	PTO SPEED 1 SETTING - 1000 RPM		



Prepared For :  
 BRIAN FRANKLIN  
 DOUGLAS COUNTY  
 3030 N INDUSTRIAL WAY  
 CASTLE ROCK, CO 80109  
 UNITED STATES  
 Phone : 303-660-7361

Prepared by:  
 Will Schafer  
 TRANSWEST TRUCK TRAILER RV  
 20770 E I76 FRONTAGE ROAD  
 BRIGHTON, CO 80603  
 Phone :(303)289-3161

Data Code	Description	Weight Front	Weight Rear
80F-001	AUTOMATIC OIL LIFE MONITOR WITH ALERT AT 5% OF INTERVAL REMAINING		
80G-002	PTO MINIMUM RPM - 700		
80J-001	REGEN INHIBIT SPEED THRESHOLD - 0 MPH		
80S-001	PTO 1, DASH SWITCH, STATIONARY OPERATION		

### Engine Equipment

99C-024	EPA 2010/GHG 2024 CONFIGURATION		
13E-005	OIL PAN FOR AWD AND AWD CONVERSIONS		
105-001	ENGINE MOUNTED OIL CHECK AND FILL		
014-1B5	SIDE OF HOOD AIR INTAKE WITH DONALDSON HIGH CAPACITY AIR CLEANER WITH SAFETY ELEMENT, FIREWALL MOUNTED		
124-1DJ	DR 12V 160 AMP 36-SI BRUSHLESS QUADRAMOUNT PAD ALTERNATOR WITH REMOTE BATTERY VOLT SENSE	10	
292-235	(2) DTNA GENUINE, FLOODED STARTING, MIN 2000CCA, 370RC, THREADED STUD BATTERIES	10	
290-017	BATTERY BOX FRAME MOUNTED		
281-001	STANDARD BATTERY JUMPERS		
282-001	SINGLE BATTERY BOX FRAME MOUNTED LH SIDE UNDER CAB		
291-017	WIRE GROUND RETURN FOR BATTERY CABLES WITH ADDITIONAL FRAME GROUND RETURN		
289-001	NON-POLISHED BATTERY BOX COVER		
293-058	NON-ESSENTIAL POSITIVE LOAD DISCONNECT, IN CAB CONTROL SWITCH MOUNTED OUTBOARD OF DRIVER SEAT	2	
295-029	POSITIVE AND NEGATIVE POSTS FOR JUMPSTART LOCATED ON FRAME NEXT TO STARTER	2	
306-015	PROGRESSIVE LOW VOLTAGE DISCONNECT AT 12.3 VOLTS FOR DESIGNATED CIRCUITS	2	
107-032	CUMMINS TURBOCHARGED 18.7 CFM AIR COMPRESSOR WITH INTERNAL SAFETY VALVE		
108-002	STANDARD MECHANICAL AIR COMPRESSOR GOVERNOR		



Prepared For :  
 BRIAN FRANKLIN  
 DOUGLAS COUNTY  
 3030 N INDUSTRIAL WAY  
 CASTLE ROCK, CO 80109  
 UNITED STATES  
 Phone : 303-660-7361

Prepared by:  
 Will Schafer  
 TRANSWEST TRUCK TRAILER RV  
 20770 E I76 FRONTAGE ROAD  
 BRIGHTON, CO 80603  
 Phone :(303)289-3161

Data Code	Description	Weight Front	Weight Rear
131-013	AIR COMPRESSOR DISCHARGE LINE		
152-041	ELECTRONIC ENGINE INTEGRAL SHUTDOWN PROTECTION SYSTEM		
128-1AN	C-BRAKE BY JACOBS WITH HIGH MED LOW BRAKE WITH BRAKE LAMPS	80	
016-1DE	RH OUTBOARD UNDER STEP MOUNTED HORIZONTAL AFTERTREATMENT SYSTEM ASSEMBLY WITH RH C-PILLAR MOUNTED VERTICAL TAILPIPE	30	25
28F-015	ENGINE AFTERTREATMENT DEVICE, AUTOMATIC OVER THE ROAD ACTIVE REGENERATION AND VIRTUAL REGENERATION REQUEST SWITCH IN CLUSTER AND DASH MOUNTED INHIBIT SWITCH		
239-020	10 FOOT 00 INCH (120 INCH+0/-5.9 INCH) EXHAUST SYSTEM HEIGHT		
233-017	STANDARD CURVE BRIGHT UPPER STACK(S)		
237-1D0	RH CURVED VERTICAL TAILPIPE C-PILLAR MOUNTED ROUTED FROM STEP		
23U-001	6 GALLON DIESEL EXHAUST FLUID TANK		
30N-003	100 PERCENT DIESEL EXHAUST FLUID FILL		
43X-005	LH UNDER CAB DIESEL EXHAUST FLUID TANK LOCATION		
23Y-001	STANDARD DIESEL EXHAUST FLUID PUMP MOUNTING		
43Y-001	STANDARD DIESEL EXHAUST FLUID TANK CAP		
242-001	STAINLESS STEEL AFTERTREATMENT DEVICE/MUFFLER/TAILPIPE SHIELD		
273-058	AIR POWERED ON/OFF ENGINE FAN CLUTCH		
276-002	AUTOMATIC FAN CONTROL WITH DASH SWITCH AND INDICATOR LIGHT, NON ENGINE MOUNTED		
110-003	CUMMINS SPIN ON FUEL FILTER		
118-008	COMBINATION FULL FLOW/BYPASS OIL FILTER		
120-998	NO COOLANT FILTER	-10	
266-013	1100 SQUARE INCH ALUMINUM RADIATOR	70	



Prepared For :  
 BRIAN FRANKLIN  
 DOUGLAS COUNTY  
 3030 N INDUSTRIAL WAY  
 CASTLE ROCK, CO 80109  
 UNITED STATES  
 Phone : 303-660-7361

Prepared by:  
 Will Schafer  
 TRANSWEST TRUCK TRAILER RV  
 20770 E I76 FRONTAGE ROAD  
 BRIGHTON, CO 80603  
 Phone :(303)289-3161

Data Code	Description	Weight Front	Weight Rear
103-039	ANTIFREEZE TO -34F, OAT (NITRITE AND SILICATE FREE) EXTENDED LIFE COOLANT		
171-007	GATES BLUE STRIPE COOLANT HOSES OR EQUIVALENT		
172-007	GATES POWERGRIP SHRINK BAND HOSE CLAMPS WHERE POSSIBLE		
270-016	RADIATOR DRAIN VALVE		
168-998	NO RADIATOR/OIL PAN GUARD	-5	
138-011	PHILLIPS-TEMRO 1000 WATT/115 VOLT BLOCK HEATER	4	
140-022	CHROME ENGINE HEATER RECEPTACLE MOUNTED UNDER LH DOOR		
134-001	ALUMINUM FLYWHEEL HOUSING		
132-004	ELECTRIC GRID AIR INTAKE WARMER		
155-058	DELCO 12V 38MT HD STARTER WITH INTEGRATED MAGNETIC SWITCH		

### Transmission

342-582	ALLISON 3000 RDS AUTOMATIC TRANSMISSION WITH PTO PROVISION	200	60
---------	--	-----	----

### Transmission Equipment

343-339	ALLISON VOCATIONAL PACKAGE 223 - AVAILABLE ON 3000/4000 PRODUCT FAMILIES WITH VOCATIONAL MODELS RDS, HS, MH AND TRV		
84B-012	ALLISON VOCATIONAL RATING FOR ON/OFF HIGHWAY APPLICATIONS AVAILABLE WITH ALL PRODUCT FAMILIES		
84C-023	PRIMARY MODE GEARS, LOWEST GEAR 1, START GEAR 1, HIGHEST GEAR 6, AVAILABLE FOR 3000/4000 PRODUCT FAMILIES ONLY		
84D-023	SECONDARY MODE GEARS, LOWEST GEAR 1, START GEAR 1, HIGHEST GEAR 6, AVAILABLE FOR 3000/4000 PRODUCT FAMILIES ONLY		
84E-000	PRIMARY SHIFT SCHEDULE RECOMMENDED BY DTNA AND ALLISON, THIS DEFINED BY ENGINE AND VOCATIONAL USAGE		
84F-000	SECONDARY SHIFT SCHEDULE RECOMMENDED BY DTNA AND ALLISON, THIS DEFINED BY ENGINE AND VOCATIONAL USAGE		
84G-000	PRIMARY SHIFT SPEED RECOMMENDED BY DTNA AND ALLISON, THIS DEFINED BY ENGINE AND VOCATIONAL USAGE		



Prepared For :  
 BRIAN FRANKLIN  
 DOUGLAS COUNTY  
 3030 N INDUSTRIAL WAY  
 CASTLE ROCK, CO 80109  
 UNITED STATES  
 Phone : 303-660-7361

Prepared by:  
 Will Schafer  
 TRANSWEST TRUCK TRAILER RV  
 20770 E I76 FRONTAGE ROAD  
 BRIGHTON, CO 80603  
 Phone :(303)289-3161

Data Code	Description	Weight Front	Weight Rear
84H-000	SECONDARY SHIFT SPEED RECOMMENDED BY DTNA AND ALLISON, THIS DEFINED BY ENGINE AND VOCATIONAL USAGE		
84J-000	ENGINE BRAKE RANGE PRESELECT RECOMMENDED BY DTNA AND ALLISON, THIS DEFINED BY ENGINE AND VOCATIONAL USAGE		
84K-002	2ND GEAR ENGINE BRAKE ALTERNATE PRESELECT WITH MODERATE DOWNSHIFT STRATEGY		
84N-004	FUEL SENSE 2.0 PLUS - DYNACTIVE: PERFORMANCE, NEUTRAL AT STOP: ACTIVE		
84U-000	DRIVER SWITCH INPUT - DEFAULT - NO SWITCHES		
84V-001	DIRECTION CHANGE ENABLED WITH MULTIPLEXED SERVICE BRAKES - ALLISON 5TH GEN TRANSMISSIONS		
353-074	QUICKFIT BODY LIGHTING CONNECTOR UNDER CAB, WITH BLUNTCUTS		
362-2JT	CUSTOMER INSTALLED CHELSEA 281 SERIES PTO		
363-001	PTO MOUNTING, LH SIDE OF MAIN TRANSMISSION ALLISON		
341-018	MAGNETIC PLUGS, ENGINE DRAIN, TRANSMISSION DRAIN, AXLE(S) FILL AND DRAIN		
345-003	PUSH BUTTON ELECTRONIC SHIFT CONTROL, DASH MOUNTED		
97G-004	TRANSMISSION PROGNOSTICS - ENABLED 2013		
370-015	WATER TO OIL TRANSMISSION COOLER, IN RADIATOR END TANK	15	
375-009	MERITOR MTC-4210AC/P AND MTC-4213AC TRANSFER CASE SUPPLIMENTAL OIL COOLER		
346-003	TRANSMISSION OIL CHECK AND FILL WITH ELECTRONIC OIL LEVEL CHECK		
373-051	MERITOR MTC 4210AC 2-SPEED TRANSFER CASE		
376-008	TRANSFER CASE SHIFT CONTROLS IN DASH		
35T-001	SYNTHETIC TRANSMISSION FLUID (TES-295 COMPLIANT)		

### Front Axle and Equipment

400-103	MERITOR MX-12-120-EVO 12,000# 1790MM KPI SINGLE FRONT DRIVE AXLE	900	310
398-513	5.13 FRONT AXLE RATIO		



Prepared For :  
 BRIAN FRANKLIN  
 DOUGLAS COUNTY  
 3030 N INDUSTRIAL WAY  
 CASTLE ROCK, CO 80109  
 UNITED STATES  
 Phone : 303-660-7361

Prepared by:  
 Will Schafer  
 TRANSWEST TRUCK TRAILER RV  
 20770 E I76 FRONTAGE ROAD  
 BRIGHTON, CO 80603  
 Phone :(303)289-3161

Data Code	Description	Weight Front	Weight Rear
389-079	MXL 16T MERITOR EXTENDED LUBE FRONT STEERING AXLE DRIVELINE WITH HALF ROUND YOKES		
402-087	MERITOR 16.5X5 Q+ MX DRIVE AXLE CAST SPIDER HEAVY DUTY CAM FRONT BRAKES		
403-002	NON-ASBESTOS FRONT BRAKE LINING		
419-015	MERITOR CAST IRON FRONT BRAKE DRUMS		
427-001	FRONT BRAKE DUST SHIELDS		
409-006	FRONT OIL SEALS		
416-022	STANDARD SPINDLE NUTS FOR ALL AXLES		
405-002	MERITOR AUTOMATIC FRONT SLACK ADJUSTERS		
536-050	TRW THP-60 POWER STEERING		
539-003	POWER STEERING PUMP		
534-015	2 QUART SEE THROUGH POWER STEERING RESERVOIR		
40T-002	CURRENT AVAILABLE SYNTHETIC 75W-90 FRONT AXLE LUBE		

### Front Suspension

620-1F0	12,000# DUAL TAPERLEAF FRONT SUSPENSION	42	
619-005	MAINTENANCE FREE RUBBER BUSHINGS - FRONT SUSPENSION		
410-001	FRONT SHOCK ABSORBERS		

### Rear Axle and Equipment

420-051	MERITOR RS-23-160 23,000# R-SERIES SINGLE REAR AXLE		180
421-513	5.13 REAR AXLE RATIO		
424-001	IRON REAR AXLE CARRIER WITH STANDARD AXLE HOUSING		
386-073	MXL 17T MERITOR EXTENDED LUBE MAIN DRIVELINE WITH HALF ROUND YOKES	20	20
382-073	MXL 17T MERITOR EXTENDED LUBE INTERTRANSMISSION DRIVELINE WITH HALF ROUND YOKES		



Prepared For :  
 BRIAN FRANKLIN  
 DOUGLAS COUNTY  
 3030 N INDUSTRIAL WAY  
 CASTLE ROCK, CO 80109  
 UNITED STATES  
 Phone : 303-660-7361

Prepared by:  
 Will Schafer  
 TRANSWEST TRUCK TRAILER RV  
 20770 E I76 FRONTAGE ROAD  
 BRIGHTON, CO 80603  
 Phone :(303)289-3161

Data Code	Description	Weight Front	Weight Rear
452-001	DRIVER CONTROLLED TRACTION DIFFERENTIAL - SINGLE REAR AXLE		
878-018	(1) DRIVER CONTROLLED DIFFERENTIAL LOCK REAR VALVE FOR SINGLE DRIVE AXLE		
87B-028	INDICATOR LIGHT FOR EACH DIFFERENTIAL LOCKOUT SWITCH, ENGAGE AT SPEEDS 5 MPH OR LESS, DISENGAGE W/IGN OFF OR SPEEDS EXCEEDING 15 MPH		
423-020	MERITOR 16.5X7 Q+ CAST SPIDER CAM REAR BRAKES, DOUBLE ANCHOR, FABRICATED SHOES		
433-002	NON-ASBESTOS REAR BRAKE LINING		
434-011	BRAKE CAMS AND CHAMBERS ON FORWARD SIDE OF DRIVE AXLE(S)		
451-001	CAST IRON OUTBOARD REAR BRAKE DRUMS		-10
425-002	REAR BRAKE DUST SHIELDS		5
440-006	REAR OIL SEALS		
426-100	WABCO TRISTOP D LONGSTROKE 1-DRIVE AXLE SPRING PARKING CHAMBERS		
428-003	HALDEX AUTOMATIC REAR SLACK ADJUSTERS		
41T-002	CURRENT AVAILABLE SYNTHETIC 75W-90 REAR AXLE LUBE		

### Rear Suspension

622-1H1	HENDRICKSON PRIMAAX EX 26,000# REAR AIR SUSPENSION		320
621-125	HENDRICKSON PRIMAAX 10.00" RIDE HEIGHT		
431-003	AXLE CLAMPING GROUP		
910-004	DUAL AIR REAR SUSPENSION LEVELING VALVES		
623-002	TRANSVERSE CONTROL RODS		
439-004	REAR SHOCK ABSORBERS - ONE AXLE (AIR RIDE SUSPENSION)		

### Pusher / Tag Equipment

429-998	NO PUSHER/TAG BRAKE DUST SHIELDS		
---------	----------------------------------	--	--

### Brake System





Prepared For :  
 BRIAN FRANKLIN  
 DOUGLAS COUNTY  
 3030 N INDUSTRIAL WAY  
 CASTLE ROCK, CO 80109  
 UNITED STATES  
 Phone : 303-660-7361

Prepared by:  
 Will Schafer  
 TRANSWEST TRUCK TRAILER RV  
 20770 E I76 FRONTAGE ROAD  
 BRIGHTON, CO 80603  
 Phone :(303)289-3161

Data Code	Description	Weight Front	Weight Rear
018-002	AIR BRAKE PACKAGE		
490-1AU	WABCO 4S/4M ABS WITH TRACTION CONTROL WITH ATC SHUT OFF SWITCH		
871-001	REINFORCED NYLON, FABRIC BRAID AND WIRE BRAID CHASSIS AIR LINES		
904-001	FIBER BRAID PARKING BRAKE HOSE		
412-001	STANDARD BRAKE SYSTEM VALVES		
46D-002	STANDARD AIR SYSTEM PRESSURE PROTECTION SYSTEM		
413-002	STD U.S. FRONT BRAKE VALVE		
432-003	RELAY VALVE WITH 5-8 PSI CRACK PRESSURE, NO REAR PROPORTIONING VALVE		
480-088	WABCO SYSTEM SAVER HP WITH INTEGRAL AIR GOVERNOR AND HEATER		
479-003	AIR DRYER MOUNTED INBOARD ON LH RAIL		
460-001	STEEL AIR BRAKE RESERVOIRS		
477-004	PULL CABLES ON ALL AIR RESERVOIR(S)		
485-055	QUICK DISCONNECT FITTING WITH 7 FEET EXTRA WIREBRAID HOSE FOR TIRE INFLATION KIT TIED TO REAR LH STEP BRACKET		

### Trailer Connections

481-998	NO TRAILER AIR HOSE
476-998	NO AIR HOSE HANGER
914-001	AIR CONNECTIONS TO END OF FRAME WITH GLAD HANDS FOR TRUCK AND NO DUST COVERS
296-026	PRIMARY CONNECTOR/RECEPTACLE WIRED FOR SEPARATE STOP/TURN, CENTER PIN POWERED THROUGH IGNITION WITH STOP SIGNAL PREWIRE PACKAGE
50V-002	PDI INSTALLED ELECTRIC BRAKE CONTROLLER
303-025	SAE J560 7-WAY PRIMARY TRAILER CABLE RECEPTACLE MOUNTED END OF FRAME
310-998	NO TRAILER ELECTRICAL CABLE



Prepared For :  
 BRIAN FRANKLIN  
 DOUGLAS COUNTY  
 3030 N INDUSTRIAL WAY  
 CASTLE ROCK, CO 80109  
 UNITED STATES  
 Phone : 303-660-7361

Prepared by:  
 Will Schafer  
 TRANSWEST TRUCK TRAILER RV  
 20770 E I76 FRONTAGE ROAD  
 BRIGHTON, CO 80603  
 Phone :(303)289-3161

Data Code	Description	Weight Front	Weight Rear
<b>Wheelbase &amp; Frame</b>			
545-612	6125MM (241 INCH) WHEELBASE		
546-101	11/32X3-1/2X10-15/16 INCH STEEL FRAME (8.73MMX277.8MM/0.344X10.94 INCH) 120KSI	360	150
552-023	1325MM (52 INCH) REAR FRAME OVERHANG		
55W-005	FRAME OVERHANG RANGE: 51 INCH TO 60 INCH	10	-40
AC8-99D	CALC'D BACK OF CAB TO REAR SUSP C/L (CA) 128.35 in		
AE8-99D	CALCULATED EFFECTIVE BACK OF CAB TO REAR SUSPENSION C/L (CA) 125.35 in		
AE4-99D	CALC'D FRAME LENGTH - OVERALL 322.73 in		
FSS-0LH	CALCULATED FRAME SPACE LH SIDE 140.44 in		
FSS-0RH	CALCULATED FRAME SPACE RH SIDE 98.4 in		
AM6-99D	CALC'D SPACE AVAILABLE FOR DECKPLATE 0.0 in		
553-001	SQUARE END OF FRAME		
550-001	FRONT CLOSING CROSSMEMBER		
559-003	LIGHTWEIGHT HEAVY DUTY ALUMINUM ENGINE CROSSMEMBER	-12	
561-001	STANDARD CROSSMEMBER BACK OF TRANSMISSION		
562-001	STANDARD MIDSHIP #1 CROSSMEMBER(S)		
572-001	STANDARD REARMOST CROSSMEMBER		
565-002	HEAVY DUTY SUSPENSION CROSSMEMBER		30

**Chassis Equipment**

556-1AN	THREE-PIECE 14 INCH STEEL CENTER BUMPER WITH FLEXIBLE PLASTIC ENDS		
558-001	FRONT TOW HOOKS - FRAME MOUNTED	15	
574-001	BUMPER MOUNTING FOR SINGLE LICENSE PLATE		
585-998	NO MUDFLAP BRACKETS		



Prepared For :  
 BRIAN FRANKLIN  
 DOUGLAS COUNTY  
 3030 N INDUSTRIAL WAY  
 CASTLE ROCK, CO 80109  
 UNITED STATES  
 Phone : 303-660-7361

Prepared by:  
 Will Schafer  
 TRANSWEST TRUCK TRAILER RV  
 20770 E I76 FRONTAGE ROAD  
 BRIGHTON, CO 80603  
 Phone :(303)289-3161

Data Code	Description	Weight Front	Weight Rear
590-998	NO REAR MUDFLAPS		
586-024	FENDER AND FRONT OF HOOD MOUNTED FRONT MUDFLAPS		
551-002	HUCK-SPIN ROUND COLLAR CHASSIS FASTENERS		
44Z-002	EXTERIOR HARNESSSES WRAPPED IN ABRASION TAPE		
607-001	CLEAR FRAME RAILS FROM BACK OF CAB TO FRONT REAR SUSPENSION BRACKET, BOTH RAILS OUTBOARD		

#### Fifth Wheel

578-998	NO FIFTH WHEEL		
---------	----------------	--	--

#### Fuel Tanks

206-192	50 GALLON/189 LITER RECTANGULAR ALUMINUM FUEL TANK - RH	20	15
204-215	50 GALLON/189 LITER SHORT RECTANGULAR ALUMINUM FUEL TANK - LH	20	
218-005	RECTANGULAR FUEL TANK(S)		
215-005	PLAIN ALUMINUM/PAINTED STEEL FUEL/HYDRAULIC TANK(S) WITH PAINTED BANDS		
212-014	LH FUEL TANK MOUNTED FORWARD, RH FUEL TANK MOUNTED AFT	-35	35
664-001	PLAIN STEP FINISH		
205-001	FUEL TANK CAP(S)		
122-1J1	DETROIT FUEL/WATER SEPARATOR WITH WATER IN FUEL SENSOR, HAND PRIMER AND 12 VOLT PREHEATER"	-5	
216-020	EQUIFLO INBOARD FUEL SYSTEM		
202-016	HIGH TEMPERATURE REINFORCED NYLON FUEL LINE		

#### Tires

093-1C1	MICHELIN XDN2 GRIP 315/80R22.5 20 PLY RADIAL FRONT TIRES	116	
094-1C1	MICHELIN XDN2 GRIP 315/80R22.5 20 PLY RADIAL REAR TIRES		232

#### Hubs

418-015	MERITOR IRON FRONT HUBS		
---------	-------------------------	--	--



Prepared For :  
 BRIAN FRANKLIN  
 DOUGLAS COUNTY  
 3030 N INDUSTRIAL WAY  
 CASTLE ROCK, CO 80109  
 UNITED STATES  
 Phone : 303-660-7361

Prepared by:  
 Will Schafer  
 TRANSWEST TRUCK TRAILER RV  
 20770 E I76 FRONTAGE ROAD  
 BRIGHTON, CO 80603  
 Phone :(303)289-3161

Data Code	Description	Weight Front	Weight Rear
450-060	CONMET PRESET PLUS PREMIUM IRON REAR HUBS		
<b>Wheels</b>			
502-433	ACCURIDE 29039 22.5X9.00 10-HUB PILOT 5.25 INSET 5-HAND STEEL DISC FRONT WHEELS	66	
505-445	ACCURIDE 29300 22.5X9.00 10-HUB PILOT 5-HAND STEEL DISC REAR WHEELS		164
496-011	FRONT WHEEL MOUNTING NUTS		
497-011	REAR WHEEL MOUNTING NUTS		
<b>Cab Exterior</b>			
829-079	154 INCH BBC HIGH-ROOF ALUMINUM CONVENTIONAL CREW CAB	430	250
650-008	AIR CAB MOUNTING		
648-002	NONREMOVABLE BUGSCREEN MOUNTED BEHIND GRILLE		
754-008	2-1/2 INCH FENDER EXTENSIONS	10	
678-067	SAFETY YELLOW LH AND RH INTERIOR GRAB HANDLES AND LH AND RH EXTERIOR GRAB HANDLES WITH SINGLE RUBBER INSERT		
646-023	HOOD MOUNTED CHROMED PLASTIC GRILLE		
65X-003	CHROME HOOD MOUNTED AIR INTAKE GRILLE		
644-004	FIBERGLASS HOOD		
652-001	FREIGHTLINER NAME PLATES		
690-017	HOOD LINER, ADDED FIREWALL AND FLOOR HEAT INSULATION	5	
727-066	DUAL 26 INCH RECTANGULAR POLISHED ALUMINUM AIR HORNS ROOF MOUNTED	8	
726-002	DUAL ELECTRIC HORNS		
728-002	DUAL HORN SHIELDS		
575-001	REAR LICENSE PLATE MOUNT END OF FRAME		
312-088	LED HEADLIGHT ASSEMBLY AND INCANDESCENT MARKER/TURN LAMP WITH CHROME BEZEL		



Prepared For :  
 BRIAN FRANKLIN  
 DOUGLAS COUNTY  
 3030 N INDUSTRIAL WAY  
 CASTLE ROCK, CO 80109  
 UNITED STATES  
 Phone : 303-660-7361

Prepared by:  
 Will Schafer  
 TRANSWEST TRUCK TRAILER RV  
 20770 E I76 FRONTAGE ROAD  
 BRIGHTON, CO 80603  
 Phone :(303)289-3161

Data Code	Description	Weight Front	Weight Rear
302-047	LED AERODYNAMIC MARKER LIGHTS		
311-001	DAYTIME RUNNING LIGHTS		
294-001	INTEGRAL STOP/TAIL/BACKUP LIGHTS		
300-015	STANDARD FRONT TURN SIGNAL LAMPS		
744-103	DUAL WEST COAST BRIGHT FINISH HEATED MIRRORS WITH LED LIGHTS AND LH AND RH REMOTE		
797-001	DOOR MOUNTED MIRRORS		
796-001	102 INCH EQUIPMENT WIDTH		
743-204	LH AND RH 8 INCH BRIGHT FINISH CONVEX MIRRORS MOUNTED UNDER PRIMARY MIRRORS		
74A-001	RH DOWN VIEW MIRROR		
729-001	STANDARD SIDE/REAR REFLECTORS		
677-055	RH AFTERTREATMENT SYSTEM CAB ACCESS WITH POLISHED DIAMOND PLATE COVER		
275-064	PARK BRAKE REMINDER WARNING SYSTEM; 2-STAGE ELEC HORN & HAZARD LAMP ALERT CTRL BY PART FILTER REGEN REQ'D STATUS		
764-010	COMPOSITE EXTERIOR SUN VISOR	10	
768-043	63X14 INCH TINTED REAR WINDOW		
661-004	TINTED DOOR GLASS LH AND RH WITH TINTED OPERATING WING WINDOWS		
654-011	RH AND LH ELECTRIC POWERED WINDOWS		
769-002	LOWER RH DOOR WINDOW WITH FRESNEL LENS	7	
663-029	1-PIECE BONDED HEATED WIPER PARK SOLAR GREEN GLASS WINDSHIELD		
659-020	2 GALLON WINDSHIELD WASHER RESERVOIR WITH FLUID LEVEL INDICATOR, FRAME MOUNTED		

### Cab Interior

055-019	RUGGED TRIM PACKAGE		
707-107	GRAY & CARBON VINYL INTERIOR "RUGGED"		



Prepared For :  
 BRIAN FRANKLIN  
 DOUGLAS COUNTY  
 3030 N INDUSTRIAL WAY  
 CASTLE ROCK, CO 80109  
 UNITED STATES  
 Phone : 303-660-7361

Prepared by:  
 Will Schafer  
 TRANSWEST TRUCK TRAILER RV  
 20770 E I76 FRONTAGE ROAD  
 BRIGHTON, CO 80603  
 Phone :(303)289-3161

Data Code	Description	Weight Front	Weight Rear
70K-020	CARBON WITH PREMIUM GUNMETAL ACCENT (RUGGED)		
706-013	MOLDED DOOR PANEL		
708-013	MOLDED PLASTIC DOOR PANEL		
772-006	BLACK MATS WITH SINGLE INSULATION		
785-026	(1)DASH MOUNTED 12V POWER OUTLET, (1)DASH MOUNTED DUAL USB-C OUTLET		
691-001	FORWARD ROOF MOUNTED CONSOLE		
693-036	LH DOOR STORAGE POCKET		
738-021	DIGITAL ALARM CLOCK IN DRIVER DISPLAY		
742-007	(2) CUP HOLDERS LH AND RH DASH		
680-029	M2/SD DASH		
720-003	5 LB. FIRE EXTINGUISHER	10	
714-001	FIRST AID KIT	2	
700-002	HEATER, DEFROSTER AND AIR CONDITIONER		
701-001	STANDARD HVAC DUCTING		
703-005	MAIN HVAC CONTROLS WITH RECIRCULATION SWITCH		
170-045	STANDARD HEATER PLUMBING WITH BALL SHUTOFF VALVES AT SUPPLY LINES ONLY		
130-041	VALEO HEAVY DUTY A/C REFRIGERANT COMPRESSOR		
702-002	BINARY CONTROL, R-134A		
739-034	PREMIUM INSULATION		
285-013	SOLID-STATE CIRCUIT PROTECTION AND FUSES		
280-007	12V NEGATIVE GROUND ELECTRICAL SYSTEM		
324-1B2	PREMIUM LED CAB LIGHTING		



Prepared For :  
 BRIAN FRANKLIN  
 DOUGLAS COUNTY  
 3030 N INDUSTRIAL WAY  
 CASTLE ROCK, CO 80109  
 UNITED STATES  
 Phone : 303-660-7361

Prepared by:  
 Will Schafer  
 TRANSWEST TRUCK TRAILER RV  
 20770 E I76 FRONTAGE ROAD  
 BRIGHTON, CO 80603  
 Phone :(303)289-3161

Data Code	Description	Weight Front	Weight Rear
787-004	REMOTE KEYLESS ENTRY AND 2 TRANSMITTERS	2	
657-138	ALL UNIT (S) KEYED ALIKE WITH CUSTOMER SPECIFIED KEY NUMBER FT1041		
78G-004	KEY QUANTITY OF 4		
655-005	LH AND RH ELECTRIC DOOR LOCKS		
740-998	NO MATTRESS	-20	-15
722-028	TRIANGULAR REFLECTORS KIT WITHOUT FLARES SHIPPED LOOSE IN CAB	10	
756-339	PREMIUM ISRINGHAUSEN HIGH BACK AIR SUSPENSION DRIVERS SEAT WITH 2 AIR LUMBAR, INTEGRATED CUSHION EXTENSION, TILT AND ADJUSTABLE SHOCK	70	
760-339	PREMIUM ISRINGHAUSEN HIGH BACK AIR SUSPENSION PASSENGER SEAT WITH 2 AIR LUMBAR, INTEGRATED CUSHION EXTENSION, TILT AND ADJUSTABLE SHOCK	60	20
762-341	SEATS INC FULL WIDTH REAR BENCH SEAT	60	20
759-005	DUAL DRIVER AND PASSENGER SEAT ARMRESTS	8	
711-004	LH AND RH INTEGRAL DOOR PANEL ARMRESTS		
758-014	BLACK CORDURA PLUS CLOTH DRIVER SEAT COVER		
761-014	BLACK CORDURA PLUS CLOTH PASSENGER SEAT COVER		
755-014	BLACK CORDURA PLUS CLOTH REAR PASSENGER SEAT COVER		
763-102	HIGH VISIBILITY ORANGE SEAT BELTS		
532-002	ADJUSTABLE TILT AND TELESCOPING STEERING COLUMN		
540-070	4-SPOKE 18 INCH (450MM) LEATHER WRAPPED STEERING WHEEL WITH CHROME SWITCH BEZELS		
765-002	DRIVER AND PASSENGER INTERIOR SUN VISORS		

### Instruments & Controls

106-002	ELECTRONIC ACCELERATOR CONTROL
732-998	NO INSTRUMENT PANEL-DRIVER



Prepared For :  
 BRIAN FRANKLIN  
 DOUGLAS COUNTY  
 3030 N INDUSTRIAL WAY  
 CASTLE ROCK, CO 80109  
 UNITED STATES  
 Phone : 303-660-7361

Prepared by:  
 Will Schafer  
 TRANSWEST TRUCK TRAILER RV  
 20770 E I76 FRONTAGE ROAD  
 BRIGHTON, CO 80603  
 Phone :(303)289-3161

Data Code	Description	Weight Front	Weight Rear
734-022	FULLY CONFIGURABLE CENTER INSTRUMENT PANELS		
870-002	BRIGHT ARGENT FINISH GAUGE BEZELS		
486-001	LOW AIR PRESSURE INDICATOR LIGHT AND AUDIBLE ALARM		
840-001	DUAL NEEDLE PRIMARY AND SECONDARY AIR PRESSURE GAUGE		
198-034	INTAKE MOUNTED AIR RESTRICTION INDICATOR W/ COLOR LED WARNING LIGHT, 18 INCH AND 20 INCH LIMITS		
721-003	87 DECIBELS TO 112 DECIBELS AUTOMATIC SELF-ADJUSTING BACKUP ALARM		3
149-015	ELECTRONIC CRUISE CONTROL WITH CONTROLS ON STEERING WHEEL SPOKES		
156-007	KEY OPERATED IGNITION SWITCH AND INTEGRAL START POSITION; 4 POSITION OFF/RUN/START/ACCESSORY		
811-044	PREMIUM INSTRUMENT CLUSTER WITH 5.0 INCH TFT COLOR DISPLAY		
81B-003	DIGITAL PANEL LAMP DIMMER SWITCH IN DRIVER DISPLAY		
160-038	HEAVY DUTY ONBOARD DIAGNOSTICS INTERFACE CONNECTOR LOCATED BELOW LH DASH		
844-001	2 INCH ELECTRIC FUEL GAUGE		
866-018	DIGITAL SINGLE REAR AXLE TEMPERATURE IN DRIVER DISPLAY WITH SENSOR SHIELD		
856-001	ELECTRICAL ENGINE COOLANT TEMPERATURE GAUGE		
864-001	2 INCH TRANSMISSION OIL TEMPERATURE GAUGE		
867-004	ELECTRONIC OUTSIDE TEMPERATURE SENSOR DISPLAY IN DRIVER MESSAGE CENTER		
830-017	ENGINE AND TRIP HOUR METERS INTEGRAL WITHIN DRIVER DISPLAY		
372-123	PTO CONTROLS FOR ENHANCED VEHICLE ELECTRIC/ELECTRONIC ARCHITECTURE		
736-998	NO OBSTACLE DETECTION SYSTEM		
72K-001	BACKUP ALERT SYSTEM, INTEGRATED WITH INTERACTIVE TOUCHSCREEN DISPLAY, FACTORY INSTALL END OF THE FRAME (REVERSE PROXIMITY SENSOR)		





Prepared For :  
 BRIAN FRANKLIN  
 DOUGLAS COUNTY  
 3030 N INDUSTRIAL WAY  
 CASTLE ROCK, CO 80109  
 UNITED STATES  
 Phone : 303-660-7361

Prepared by:  
 Will Schafer  
 TRANSWEST TRUCK TRAILER RV  
 20770 E I76 FRONTAGE ROAD  
 BRIGHTON, CO 80603  
 Phone :(303)289-3161

Data Code	Description	Weight Front	Weight Rear
72J-998	NO DR ASSIST SYSTEM		
73H-014	(1) BACKUP CAMERA-END OF FRAME MOUNTED WITH 15 FOOT EXTRA LONG CABLE COILED AT END OF FRAME		
49B-998	NO VEHICLE STABILITY ADVISOR OR CONTROL		
73B-998	NO LANE DEPARTURE WARNING SYSTEM		
852-002	ELECTRIC ENGINE OIL PRESSURE GAUGE		
679-022	LEFTHAND/RIGHTHAND OVERHEAD INSTRUMENT PANEL BLANK		
746-143	7" B-PANEL INTERACTIVE TOUCHSCREEN DISPLAY RADIO W/ USB-C, APPLE CARPLAY, ANDROID AUTO, BLUETOOTH/AM/FM/SXM/WB, WITH MICROPHONE		
747-001	DASH MOUNTED RADIO		
750-002	(2) RADIO SPEAKERS IN CAB		
753-998	NO AM/FM RADIO ANTENNA		
748-006	POWER AND GROUND WIRING PROVISION OVERHEAD		
749-001	ROOF/OVERHEAD CONSOLE CB RADIO PROVISION		
752-004	SINGLE FIBERGLASS LH MIRROR MOUNTED CB ANTENNA WITH BRACKET AND LEAD		
75W-002	SHARKFIN MULTI-BAND ANTENNA: AM/FM/WEATHERBAND, WIFI/BLUETOOTH, SDAR/SIRIUSXM, GNSS/GPS		
78C-003	INTEROPERABLE SDAR ANTENNA		
74D-006	STANDARD RADIO WIRING WITH STEERING WHEEL CONTROLS		
810-027	ELECTRONIC MPH SPEEDOMETER WITH SECONDARY KPH SCALE, WITHOUT ODOMETER		
817-001	STANDARD VEHICLE SPEED SENSOR		
812-001	ELECTRONIC 3000 RPM TACHOMETER		
813-1C8	DETROIT CONNECT PLATFORM HARDWARE		
8D1-313	3 YEARS DAIMLER CONNECTIVITY BASE PACKAGE ON (FEATURES VARY BY MODEL) POWERED BY DETROIT		



Prepared For :  
 BRIAN FRANKLIN  
 DOUGLAS COUNTY  
 3030 N INDUSTRIAL WAY  
 CASTLE ROCK, CO 80109  
 UNITED STATES  
 Phone : 303-660-7361

Prepared by:  
 Will Schafer  
 TRANSWEST TRUCK TRAILER RV  
 20770 E I76 FRONTAGE ROAD  
 BRIGHTON, CO 80603  
 Phone :(303)289-3161

Data Code	Description	Weight Front	Weight Rear
	CONNECT ON CUMMINS ENGINES		
6TS-005	TMC RP1226 ACCESSORY CONNECTOR LOCATED BEHIND PASSENGER SIDE REMOVEABLE DASH PANEL		
162-002	IGNITION SWITCH CONTROLLED ENGINE STOP		
329-133	FOUR EXTRA HARDWIRED SWITCHES IN DASH, ROUTE TO BETWEEN SEATS, BLUNTCUT		
4C1-025	HARDWIRE SWITCH #1, ON/OFF LATCHING, 20 AMPS IGNITION POWER		
4C2-025	HARDWIRE SWITCH #2, ON/OFF LATCHING, 20 AMPS IGNITION POWER		
4C3-018	HARDWIRE SWITCH #3, ON/OFF LATCHING, 20 AMPS BATTERY POWER		
4C4-018	HARDWIRE SWITCH #4,ON/OFF LATCHING, 20 AMPS BATTERY POWER		
81Y-005	PRE-TRIP INSPECTION FEATURE FOR EXTERIOR LAMPS ONLY		
264-030	(1) OVERHEAD MOUNTED LANYARD CONTROL FOR DRIVER AIR HORN		
482-001	BW TRACTOR PROTECTION VALVE		
883-001	TRAILER HAND CONTROL BRAKE VALVE		
842-006	DIGITAL TURBO AIR PRESSURE IN DRIVER DISPLAY		
836-015	DIGITAL VOLTAGE DISPLAY INTEGRAL WITH DRIVER DISPLAY		
660-001	SINGLE ELECTRIC WINDSHIELD WIPER MOTOR WITH DELAY AND ARCTIC TYPE BLADES		
304-030	ROTARY HEADLAMP SWITCH, MARKER LIGHTS/HEADLIGHTS SWITCH WITH PULL OUT FOR OPTIONAL FOG/ROAD LAMPS		
882-021	TWO VALVE PARKING BRAKE SYSTEM WITH DASH VALVE CONTROL AUTONEUTRAL AND WARNING INDICATOR		
299-020	SELF CANCELING TURN SIGNAL SWITCH WITH DIMMER, HEADLAMP FLASH, WASH/WIPE/INTERMITTENT		
298-046	INTEGRAL ELECTRONIC TURN SIGNAL FLASHER WITH 40 AMP (20 AMP PER SIDE) TRAILER LAMP CAPACITY		
87T-998	NO WRG/SW-OPTL #2,CHAS,AIR		

## Design



Prepared For :  
 BRIAN FRANKLIN  
 DOUGLAS COUNTY  
 3030 N INDUSTRIAL WAY  
 CASTLE ROCK, CO 80109  
 UNITED STATES  
 Phone : 303-660-7361

Prepared by:  
 Will Schafer  
 TRANSWEST TRUCK TRAILER RV  
 20770 E I76 FRONTAGE ROAD  
 BRIGHTON, CO 80603  
 Phone :(303)289-3161

Data Code	Description	Weight Front	Weight Rear
065-000	PAINT: ONE SOLID COLOR		

### Color

980-5F6	CAB COLOR A: L0006EY WHITE ELITE EY		
986-020	BLACK, HIGH SOLIDS POLYURETHANE CHASSIS PAINT		
962-972	POWDER WHITE (N0006EA) FRONT WHEELS/RIMS (PKWHT21, TKWHT21, W, TW)		
966-972	POWDER WHITE (N0006EA) REAR WHEELS/RIMS (PKWHT21, TKWHT21, W, TW)		
964-6Z7	BUMPER PAINT: FP24812 ARGENT SILVER DUPONT FLEX		
976-995	SUNVISOR PAINTED SAME AS CAB COLOR A		
963-003	STANDARD E COAT/UNDERCOATING		

### Certification / Compliance

996-001	U.S. FMVSS CERTIFICATION, EXCEPT SALES CABS AND GLIDER KITS		
---------	--	--	--

### Secondary Factory Options

998-032	CORPORATE PDI CENTER OPTION INSTALLATION/MODIFICATION ONLY		
999-074	DEALER/CUSTOMER ADVISED THAT TRAC TECH NO SPIN DIFF VOIDS THE WARRANTY ON THE RING & PINION AND AXLE SHAFTS PER MERITOR WARRANTY LITERATURE		
923-005	GEN 2, DEDICATED PATHWAY, ROUTING AND CLIPPING		

## TOTAL VEHICLE SUMMARY

### Weight Summary

	Weight Front	Weight Rear	Total Weight
Factory Weight+	8958 lbs	5264 lbs	14222 lbs
Total Weight+	8958 lbs	5264 lbs	14222 lbs



Prepared For :  
BRIAN FRANKLIN  
DOUGLAS COUNTY  
3030 N INDUSTRIAL WAY  
CASTLE ROCK, CO 80109  
UNITED STATES  
Phone : 303-660-7361

Prepared by:  
Will Schafer  
TRANSWEST TRUCK TRAILER RV  
20770 E I76 FRONTAGE ROAD  
BRIGHTON, CO 80603  
Phone :(303)289-3161

### Other Factory Charges

PMV-024	GHG24 SURCHARGE - CUMMINS
RD1-313	3 YEARS DAIMLER CONNECTIVITY BASE PACKAGE ON (FEATURES VARY BY MODEL) POWERED BYDETROIT CONNECT ON CUMMINS ENGINES
RAG-020	CUMMINS TARIFF CHARGE - \$205
R26-001	MY26 ESCALATOR
P73-2FT	STANDARD DESTINATION CHARGE

### Extended Warranty

WAG-039	TOWING: 2 YEARS/UNLIMITED MILES/KM EXTENDED TOWING COVERAGE \$1200 CAP FEX APPLIES
---------	---

(+) Weights Shown are estimates only.  
If weight is critical, contact Customer Application Engineering.

(\*\*) Prices shown do not include taxes, fees, etc... "Net Equipment Selling Price" is located on the Quotation Details Proposal Report.

(\*\*\*) All cost increases for major components (Engines, Transmissions, Axles, Front and Rear Tires) and government mandated requirements, tariffs, and raw material surcharges will be passed through and added to factory invoices.



Prepared For :  
 BRIAN FRANKLIN  
 DOUGLAS COUNTY  
 3030 N INDUSTRIAL WAY  
 CASTLE ROCK, CO 80109  
 UNITED STATES  
 Phone : 303-660-7361

Prepared by:  
 Will Schafer  
 TRANSWEST TRUCK TRAILER RV  
 20770 E I76 FRONTAGE ROAD  
 BRIGHTON, CO 80603  
 Phone :(303)289-3161

## QUOTATION

### M2 106 PLUS CONVENTIONAL CHASSIS

SET BACK AXLE - TRUCK	6125MM (241 INCH) WHEELBASE
CUM L9 360 HP @ 2200 RPM; 2200 GOV RPM, 1150 LB-FT @ 1200 RPM	NO FIFTH WHEEL
ALLISON 3000 RDS AUTOMATIC TRANSMISSION WITH PTO PROVISION	11/32X3-1/2X10-15/16 INCH STEEL FRAME (8.73MMX277.8MM/0.344X10.94 INCH) 120KSI
MERITOR RS-23-160 23,000# R-SERIES SINGLE REAR AXLE	1325MM (52 INCH) REAR FRAME OVERHANG
HENDRICKSON PRIMAAX EX 26,000# REAR AIR SUSPENSION	
MERITOR MX-12-120-EVO 12,000# 1790MM KPI SINGLE FRONT DRIVE AXLE	
12,000# DUAL TAPERLEAF FRONT SUSPENSION	
154 INCH BBC HIGH-ROOF ALUMINUM CONVENTIONAL CREW CAB	

			PER UNIT		TOTAL
VEHICLE PRICE	TOTAL # OF UNITS (1)	\$	247,501	\$	247,501
EXTENDED WARRANTY		\$	805	\$	805
DEALER INSTALLED OPTIONS		\$	0	\$	0
CUSTOMER PRICE BEFORE TAX		\$	248,306	\$	248,306

TAXES AND FEES					
FEDERAL EXCISE TAX (FET)		\$	(317)	\$	(317)
TAXES AND FEES		\$	0	\$	0
OTHER CHARGES		\$	0	\$	0

TRADE-IN					
TRADE-IN ALLOWANCE		\$	0	\$	0
BALANCE DUE	(LOCAL CURRENCY)	\$	247,989	\$	247,989

COMMENTS:  
 Projected delivery on \_\_\_ / \_\_\_ / \_\_\_ provided the order is received before \_\_\_ / \_\_\_ / \_\_\_.

APPROVAL:  
 Please indicate your acceptance of this quotation by signing below:

Customer: X \_\_\_\_\_ Date: \_\_\_ / \_\_\_ / \_\_\_.



Prepared For :  
BRIAN FRANKLIN  
DOUGLAS COUNTY  
3030 N INDUSTRIAL WAY  
CASTLE ROCK, CO 80109  
UNITED STATES  
Phone : 303-660-7361

Prepared by:  
Will Schafer  
TRANSWEST TRUCK TRAILER RV  
20770 E I76 FRONTAGE ROAD  
BRIGHTON, CO 80603  
Phone :(303)289-3161

## QUOTATION DETAILS

### EXTENDED WARRANTY

TOWING: 2 YEARS/UNLIMITED MILES/KM EXTENDED TOWING COVERAGE \$1200	\$	805	\$	805
CAP FEX APPLIES				

**Daimler Truck Financial**

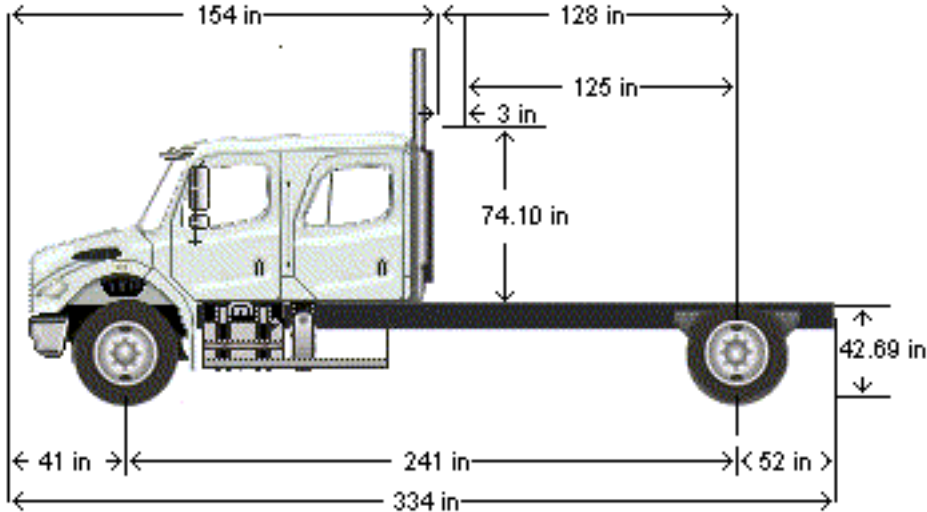
Financing that works for you.

See your local dealer for a competitive quote from Daimler Truck Financial, or contact us at [Information@dtfoffers.com](mailto:Information@dtfoffers.com).

Daimler Truck Financial offers a variety of finance, lease and insurance solutions to fit your business needs. For more information about our products and services, visit our website at [www.daimler-truckfinancial.com](http://www.daimler-truckfinancial.com)



## DIMENSIONS



## VEHICLE SPECIFICATIONS SUMMARY - DIMENSIONS

Model	M2106
Wheelbase (545)	6125MM (241 INCH) WHEELBASE
Rear Frame Overhang (552)	1325MM (52 INCH) REAR FRAME OVERHANG
Fifth Wheel (578)	NO FIFTH WHEEL
Mounting Location (577)	NO FIFTH WHEEL LOCATION
Maximum Forward Position (in)	0
Maximum Rearward Position (in)	0
Amount of Slide Travel (in)	0
Slide Increment (in)	0
Desired Slide Position (in)	0.0
Cab Size (829)	154 INCH BBC HIGH-ROOF ALUMINUM CONVENTIONAL CREW CAB
Sleeper (682)	NO SLEEPER BOX/SLEEPERCAB
Exhaust System (016)	RH OUTBOARD UNDER STEP MOUNTED HORIZONTAL AFTERTREATMENT SYSTEM ASSEMBLY WITH RH C-PILLAR MOUNTED VERTICAL TAILPIPE



Prepared For :  
 BRIAN FRANKLIN  
 DOUGLAS COUNTY  
 3030 N INDUSTRIAL WAY  
 CASTLE ROCK, CO 80109  
 UNITED STATES  
 Phone : 303-660-7361

Prepared by:  
 Will Schafer  
 TRANSWEST TRUCK TRAILER RV  
 20770 E I76 FRONTAGE ROAD  
 BRIGHTON, CO 80603  
 Phone :(303)289-3161

**TABLE SUMMARY - DIMENSIONS**

Dimensions	Inches
Bumper to Back of Cab (BBC)	153.5
Bumper to Centerline of Front Axle (BA)	40.7
Front Axle to Back of Cab (AC)	112.8
Min. Cab to Body Clearance (CB)	3.0
Back of Cab to Centerline of Rear Axle(s) (CA)	128.3
Effective Back of Cab to Centerline of Rear Axle(s) (Effective CA)	125.3
Back of Cab Protrusions (Exhaust/Intake) (CP)	2.0
Back of Cab Protrusions (Side Extenders/Trim Tab) (CP)	0.0
Back of Cab Protrusions (CNG Tank)	0.0
Back of Cab Clearance (CL)	3.0
Back of Cab to End of Frame	180.5
Cab Height (CH)	74.1
Wheelbase (WB)	241.1
Frame Overhang (OH)	52.2
Overall Frame Length	322.7
Overall Length (OAL)	334.1
Rear Axle Spacing	0.0
Unladen Frame Height at Centerline of Rear Axle	42.7

Performance calculations are estimates only. If performance calculations are critical, please contact Customer Application Engineering.

